

Wintone

[SPECIALIZED
TH-AUTOMATIC NUMBER
PLATE RECOGNITION
TH-ANPR]

[WINTONE TH-Automatic Number Plate Recognition: TH-ANPR]



Introduction

TH-Automatic Number Plate Recognition (TH-ANPR) system provides professional intelligent recognition technologies that use optical character recognition to automatically read automobile license plate numbers or product codes. Comparing with the traditional traffic management system, it applied advanced technologies of digital imaging and information management; quickly and accurately process imaging and data entry, recognition, verification, and surveillance. TH-ANPR is the best choice for you, and it has made up an important part of intelligent traffic surveillance and control system.

Two different customizable solutions

■ Solution 1: Software Based Digital Image/ Video Signal

Recognition

With the rapid development of traffic surveillance and control system, WINTONE provides professional software based digital image signal recognition on the strength of OCR technology that required several years of unremitting research and development from Tsinghua University.



Features:

- Simply integrated: Wintone Automatic Number Plate Recognition System (Software) is based on DLL
- Rapidly recognizing license plate that was shown within your video
- The speed of vehicles: $\leq 250\text{km/h}$
- High recognition rate: Day $\geq 96\%$; Night $\geq 90\%$



- To be able to reduce recognition time, and guarantee the high accuracy
- To support JPG, TIF, BMP and the like pictures
- The different kinds of License plates has been up to 92 types
- To be run in the Windows98/2000/XP and the like systems
- Stable Performance, and 24 hours operations

■ **Solution 2:** Distribute DSP Based Analog Video Signal Recognition

WINTONE provides a cost effective solution to satisfy requirements of different organizations/institutions/departments.

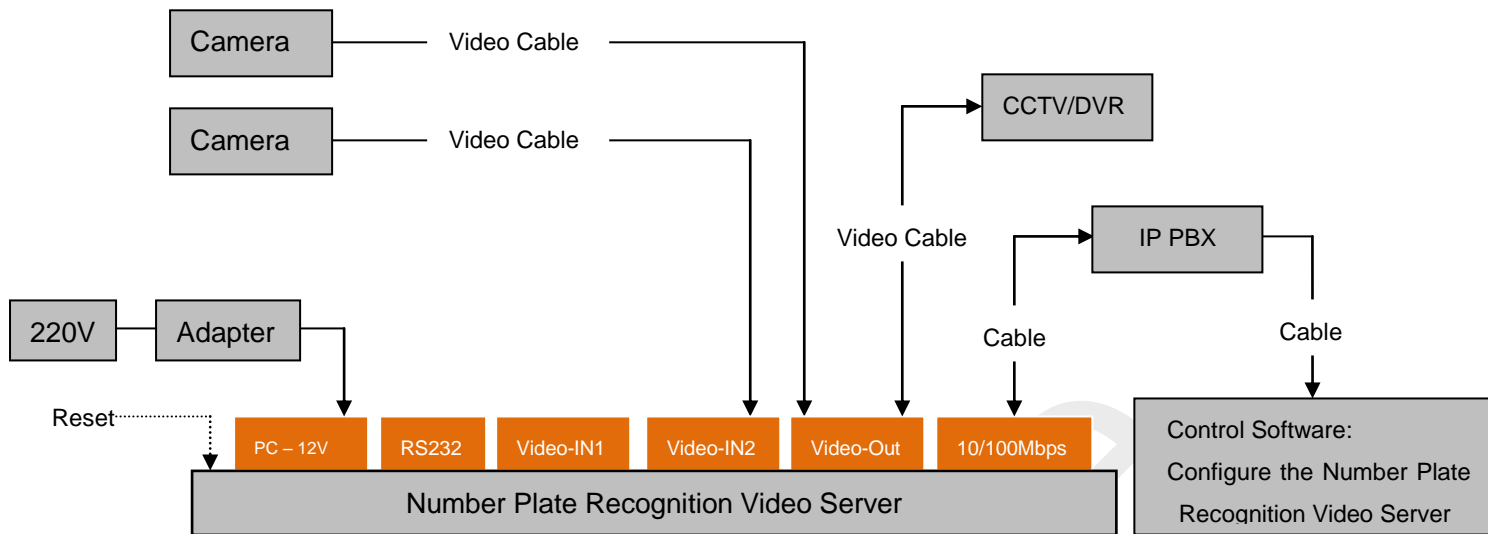
Plate Number	Color	Width	Reco Time
豫AV8956	Blue	142	118
豫AQ7588	Blue	100	75
豫AR3721	Blue	100	63
豫A59928	Blue	97	94
豫AY2367	Blue	376	103
豫AK8885	Blue	211	781
豫AQ3019	Blue	102	123
豫AY2528	Blue	195	110

Features

- Safe, reliable and efficient operation of the system
- Easy to install and use in variety circumstances
- Support IP, username and password configuration in TH-ANPR Video Server
- Embedded multi-functional software for advanced recognition in different pattern



Schematic diagram



TH-ANPR system has been widely used in

- Various Charge-collecting System of: Highway, Bridges, Road tunnels, etc.;
- Car Park Management System
- Automatic vehicle monitoring system
- Residence community

.....

Customization Period

After received the sample number plate video (better more than 2000 samples inside) we can provide the initial version within one month (Depend on complexity of the number plate designed).

Ms. Sun Jie

International Marketing Dep.
Beijing Wintone

[T]: +86 10 62800289

[M]: +86 15001300092

[F]: +86 10 62800256

Email: sunjie@wintone.com.cn

www.wintone.com.cn/en

